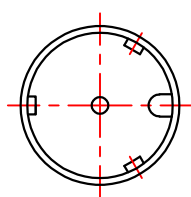
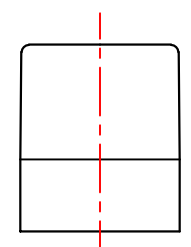
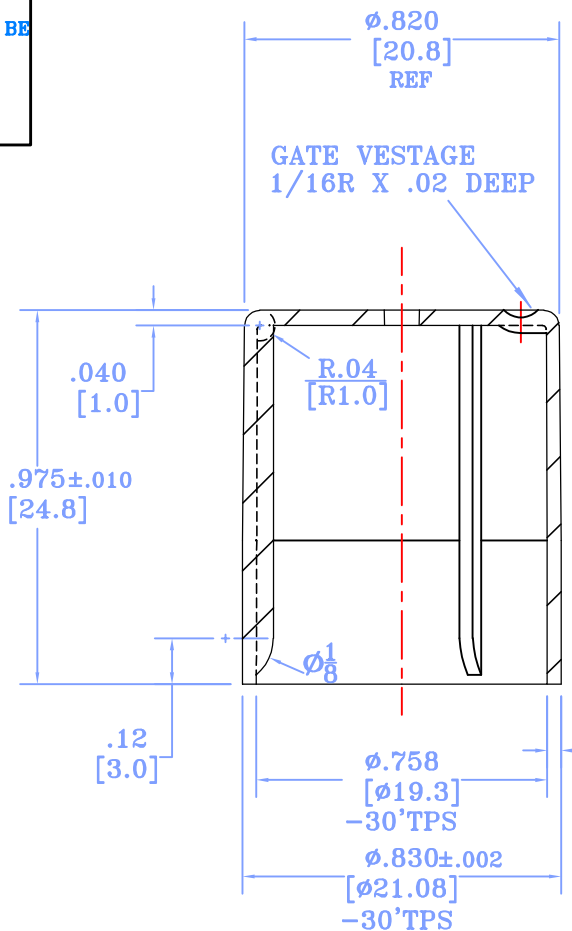


INFORMATION CONTAINED HEREIN
 CONSTITUTES PROPRIETARY CONFIDENTIAL
 INFORMATION OF QUEST PLASTICS AND IS TO BE
 ACCEPTED ONLY SUBJECT TO THAT
 UNDERSTANDING. IT IS TO BE KEPT
 CONFIDENTIAL AND NOT TO BE COPIED; USED;
 OR CONVEYED TO OTHERS WITHOUT QUEST
 PLASTICS INC. WRITTEN AUTHORIZATION.

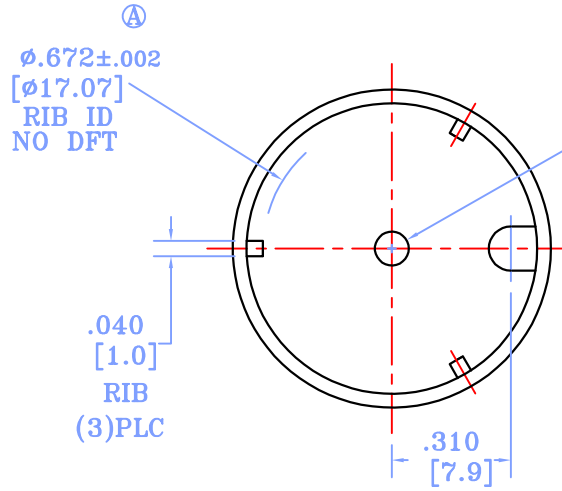
11/21 08 A Ø.672 WAS Ø.673



ACTUAL SIZE

"HOT"
 .675 STAND
 .671 FALL
 WT OF PT

"COLD"
 .674 STAND
 .670 FALL
 WT OF PT



89 Commercial Blvd.
 Torrington, CT 06790
 Phone:(860) 489-1404
 Fax:(860) 489-1091
 www.questplastics.com

Title					
15mm 100mL Slip Sleeve Ø.674 Collar					
Date	Drawn	Mold#	Material		
11/21/08	BLA	QU010	Polypropylene		
Style	Approved	Folder Ref#	Scale	Cav.	Gram Weight
SS1552		1860-50	2:1	8	1.6025
TOLERANCES UNLESS OTHERWISE SPECIFIED			Drawing#		Rev
Inches DEC .XXX = ±.005 DEC .XX = .010 ANG.= ±1/2°			40299		
Fraction = ± 1/64					