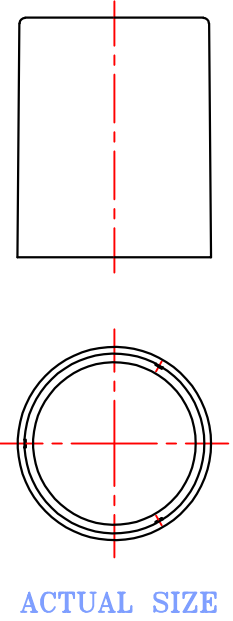
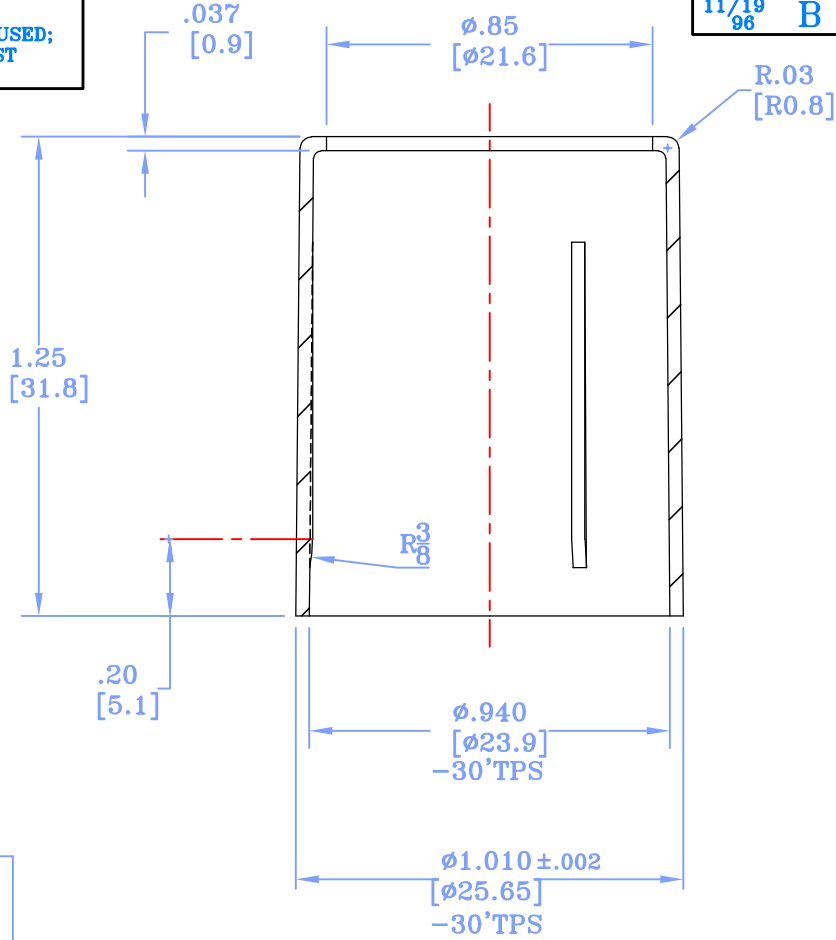


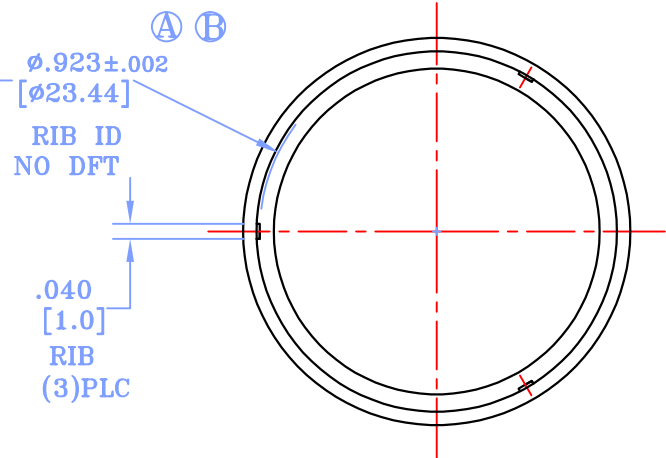
INFORMATION CONTAINED HEREIN
 CONSTITUTES PROPRIETARY CONFIDENTIAL
 INFORMATION OF QUEST PLASTICS AND IS TO BE
 ACCEPTED ONLY SUBJECT TO THAT
 UNDERSTANDING. IT IS TO BE KEPT
 CONFIDENTIAL AND NOT TO BE COPIED; USED;
 OR CONVEYED TO OTHERS WITHOUT QUEST
 PLASTICS INC. WRITTEN AUTHORIZATION.

08/27 96	REDRAWN	BLA
08/27 96	A .925 RIB ID WAS .920 RIB ID	BLA
11/19 96	B .923 RIB ID WAS .925 RIB ID	JAB BLA



"HOT"
 .926 STAND
 .923 FALL
 WT OF PT

"COLD"
 .925 STAND
 .921 FALL
 WT OF PT



89 Commercial Blvd.
 Torrington, CT 06790
 Phone:(860) 489-1404
 Fax:(860) 489-1091
 www.questplastics.com

Title 20MM - 410 Adapter Sleeve					
Date 4/17/98	Drawn BLA	Mold# QU010	Material Polypropylene		
Style SS2022	Approved	Folder Ref# 1660-010	Scale 2:1	Cav. 4	Gram Weight 1.73
TOLERANCES UNLESS OTHERWISE SPECIFIED			Drawing# 40479		Rev
Inches DEC .XXX = $\pm .005$ DEC .XX = .010 ANG.= $\pm 1/2^\circ$ Fraction = $\pm 1/64$					